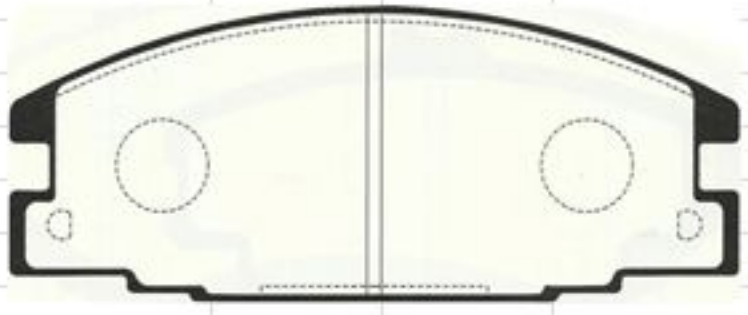
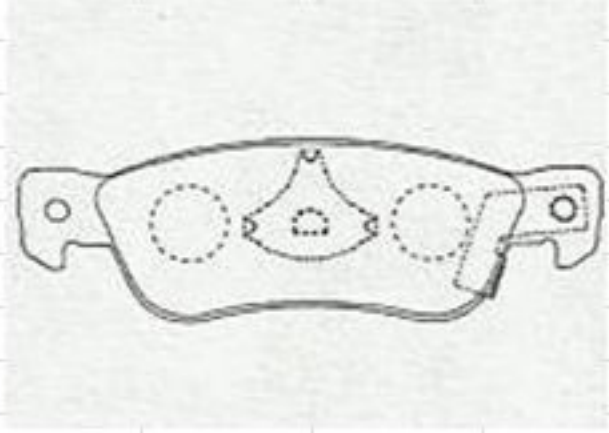
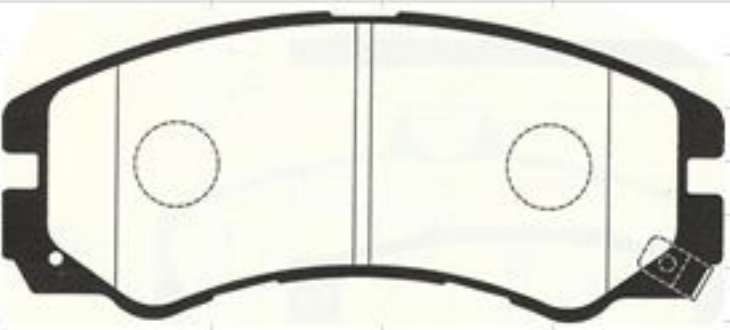
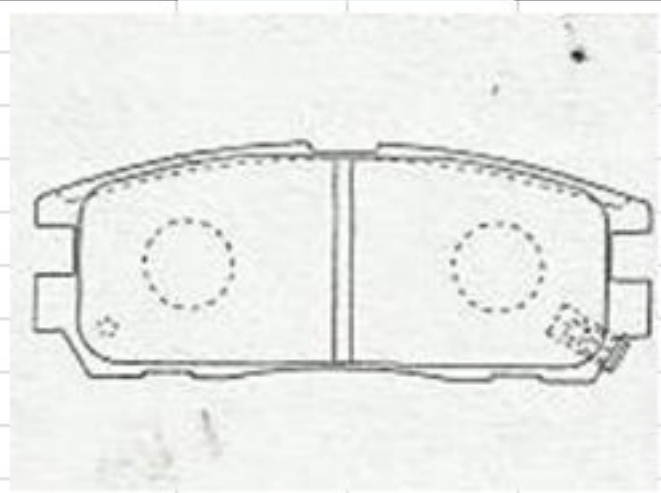
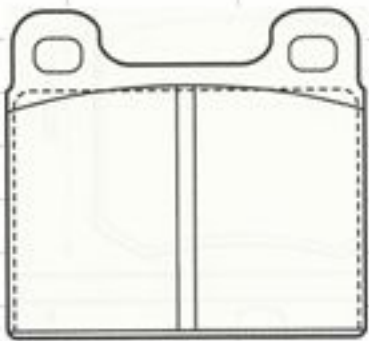
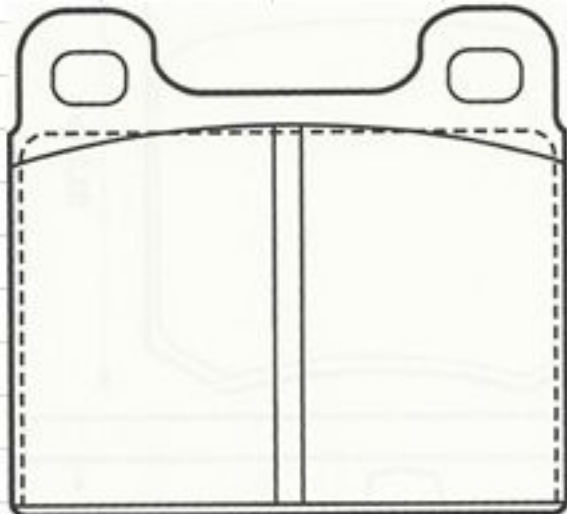
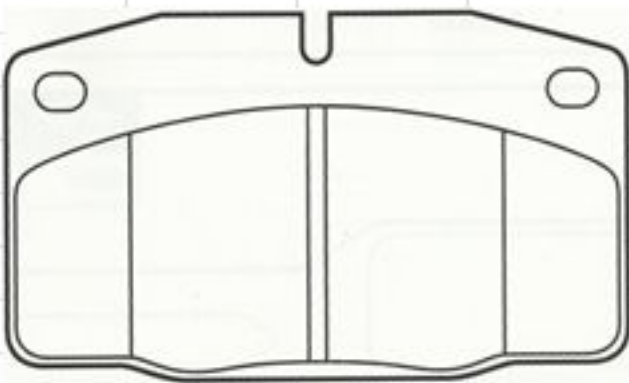



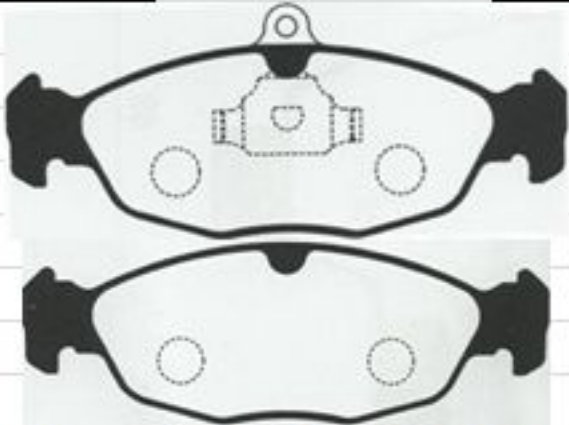
RIPAC BRAKE PAD

OPEL		DISC BRAKE PAD			
4029M	FRONT	1116	4021M	REAR	1161
248WK	Z-16.5mm		270WK	Z-13.5mm	
					
X-127,Y-50.6 , Z-16.5 NOT IN SCALE		X-131.5,Y-41.5 , Z-13.5 NOT IN SCALE			
FRONTERA 2.0i,2.3TD,2.4i 1991-95		FRONTERA 2.0i,2.3TD,2.4i 1991-95			
4031M	FRONT	1270	4034M	REAR	
386WK	Z-16.5mm		387WK	Z-16.0mm	
					
X-137.8,Y-57.7 , Z-16.5 NOT IN SCALE		X-109.6,Y-42.5 , Z-16.0 NOT IN SCALE			
FRONTERA 2.8TD 1995-		FRONTERA 2.8TD 1995-			

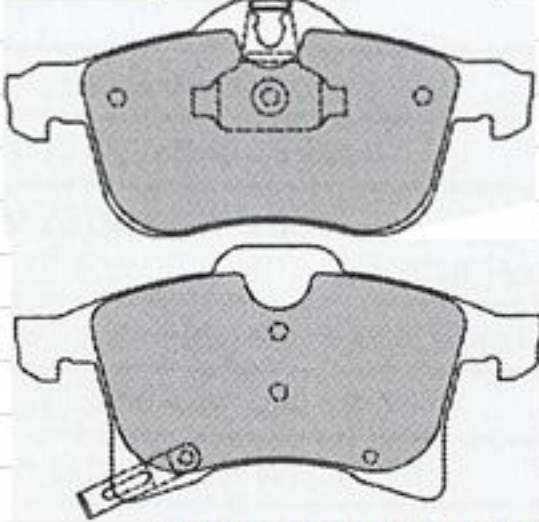
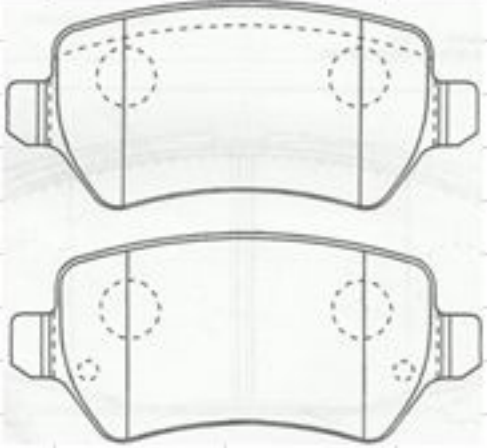
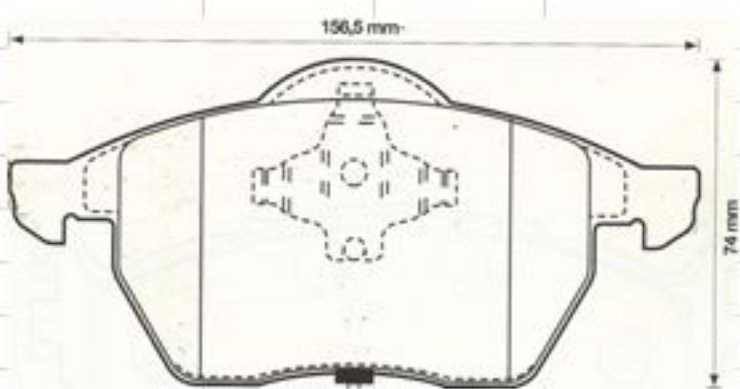
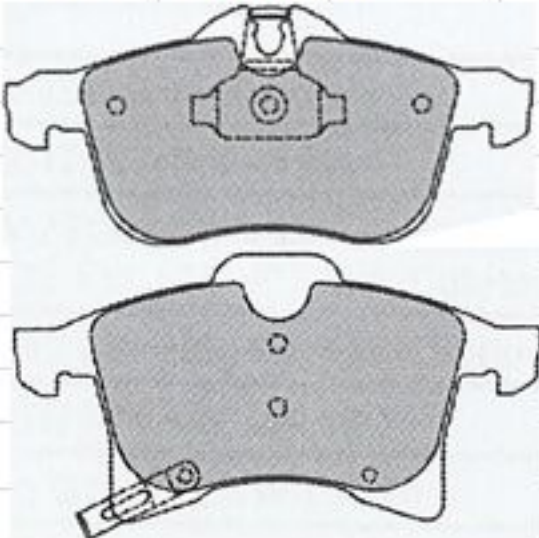
RIPAC BRAKE PAD

OPEL		DISC BRAKE PAD			
2	REAR	2	11	FRONT	11
20630	Z-14.5mm		20468	Z-15.0mm	
					
X-65.0,Y-57.0 , Z-14.5 NOT IN SCALE		X-77,Y-70 , Z-15.0 NOT IN SCALE			
ADMIRAL 2.8E 1969-77 COMMODORE 2.2,2.5 1967-78		ADMIRAL 2.8E 1969-77 COMMODORE 2.2,2.5 1967-78			
173	FRONT		1228		
20939	Z-15.0mm		20285		
					
X-99.9Y-59.0,Z-15.0 NOT IN SCALE		21190 X-64,Y-74.0 , Z-14.0 21201 NOT IN SCALE			
ASCONA ALL MODEL 1978-88 CARAVAN 1.8,2.3 1988- CORSA ALL MODEL 1982- KADETT 1.3,1.6 ALL MDL 1979-84 MANTA 1.3,1.6,1.9,2.0 1979-81		CARAVAN 2.0i,2.4i 1988- KADETT 1.8E,2.0E,2.0XE,2.0GSI,2.0XE (16V) 1989- VECTRA 2.0 1988-			

RIPAC BRAKE PAD

OPEL		DISC BRAKE PAD			
1275				REAR	
20547			21140	Z-15.1mm	7731
					
P133-40	X-140.0,Y-58.2 , Z-16.7				
SP1220	X-140.0,Y-48.3 , Z-16.7			X-61.9Y-57.0 , Z-15.1	
7563-D688	NOT IN SCALE			NOT IN SCALE	
ASTRA//ASTRAMAX COMBO VANS 1991- 1.4/1.6/1.7D/1.8i 1991- CAVALIER 1.4/1.6/1.7D/1.8i 1991- CORSA ALL MODEL 1993- NOVA ALL MODEL 1993-				OMEGA 1.8/2.0/2.3 1994- 2.0 ALL MODEL 1994- 2.5/2.5D/3.0 1994- 2.6/3.0 1990- SENATOR ALL MODEL 1989-94	
	FRONT		909	FRONT	
21050	Z-15.5mm	7724	21368	Z-18.5mm	7769
					
X-61.4,Y-61.1 , Z-15.5		X-129.8,Y-63.8 , Z-18.5			
NOT IN SCALE		NOT IN SCALE			
KADETT FR DISC MDL 1973-79 REKORD PETROL 1968-73 ROYALE ALL MODEL 1979-85				OMEGA 2.5/2.5D/3.0 1994- 2.6/3.0 1990- SENATOR ALL MODEL 1989-94	

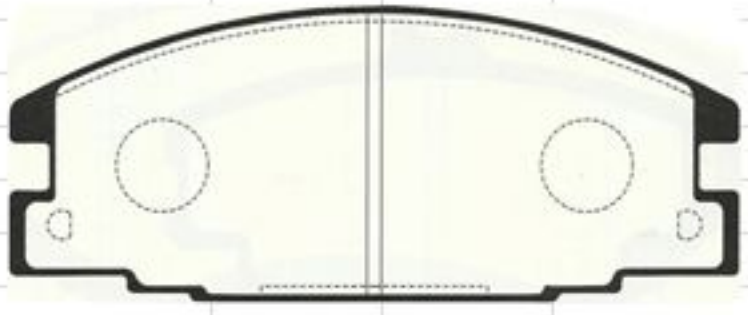
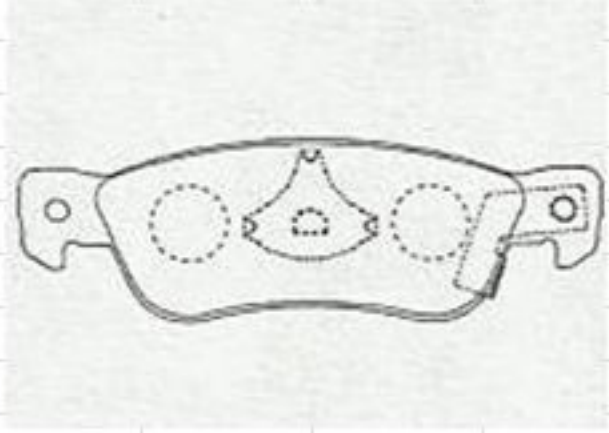
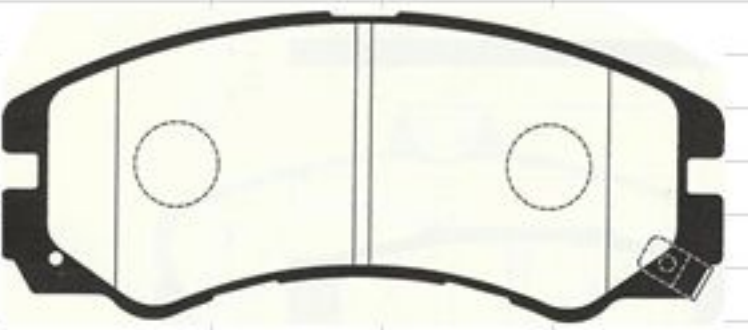
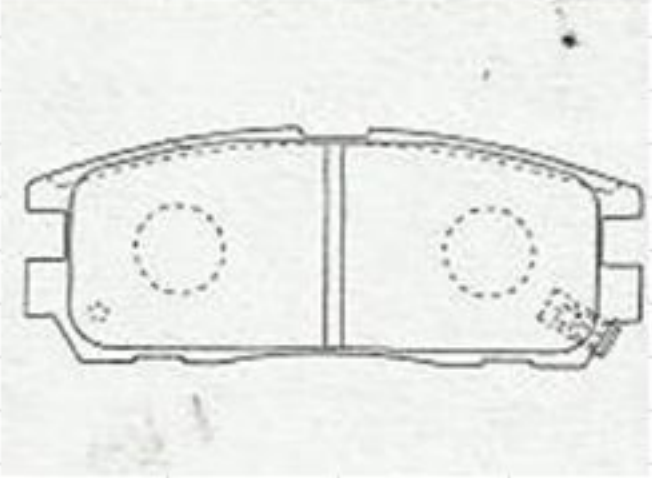
RIPAC BRAKE PAD

OPEL		DISC BRAKE PAD	
	FRONT		REAR
23832	Z-20.0mm	23417	Z-15.0mm
			
	X-155.1,Y-69.7 , Z-20.0 X-156.3,Y-76.0 , Z-20.0 NOT IN SCALE	23655 X-95.4,Y-42.8 , Z-15.0 P135M-40 NOT IN SCALE	
ZAFIRA B		ZAFIRA	
1.6i/1.7/1.8/1.9 05-		1.6 16V,1.8 16V ,2.0Di 16V 1999-	
2.0i 16V TURBO 05-		ASTRA G	
ASTRA H		1.2/1.4/1.6/1.7/1.8/2.0/2.2i 16V 02-04	
1.2/1.3/1.4/1.6/1.6/1.7/1.8 04-10		MERIVA	
CORSA C/D		1.3/1.4/1.6/1.7/1.8 03-10	
1.7/1.6 I 06-			
			FRONT
		23057	Z-19.5mm
			
	X-64,Y-74.0 , Z-14.0 NOT IN SCALE	23058 X-155.1,Y-71.6 , Z-19.5 23059 X-156.3,Y-78.5 , Z-19.5 NOT IN SCALE	
VECTRA		ZAFIRA A	
2.0/2.5-V6 1995-		1.6i/1.7/1.8/1.9 99-02	
		2.0i 16V TURBO 99-02	
		ASTRA G	
		1.2/1.3/1.4/1.6/1.6/1.7/1.8 97-02	
		ASTRA VAN 2.0 16V 97-02	

RIPAC BRAKE PAD

OPEL	DISC BRAKE PAD				
	FRONT				
23801	Z-18.5mm				
<div data-bbox="187 463 703 1003" data-label="Image"> </div> <p data-bbox="291 1047 725 1092">X-155.1 Y-72.9 , Z-18.5</p> <p data-bbox="291 1101 725 1145">X-156.3 Y-72.9 , Z-18.5</p> <p data-bbox="291 1160 522 1199">NOT IN SCALE</p>					
VECTRA C					
2.8i V6 TURBO/GTS/S.WAGON 05-08					

RIPAC BRAKE PAD

OPEL		DISC BRAKE PAD			
4029M	FRONT	1116	4021M	REAR	1161
248WK	Z-16.5mm		270WK	Z-13.5mm	
					
X-127,Y-50.6 , Z-16.5 NOT IN SCALE		X-131.5,Y-41.5 , Z-13.5 NOT IN SCALE			
FRONTERA 2.0i,2.3TD,2.4i 1991-95		FRONTERA 2.0i,2.3TD,2.4i 1991-95			
4031M	FRONT	1270	4034M	REAR	
386WK	Z-16.5mm		387WK	Z-16.0mm	
					
X-137.8,Y-57.7 , Z-16.5 NOT IN SCALE		X-109.6,Y-42.5 , Z-16.0 NOT IN SCALE			
FRONTERA 2.8TD 1995-		FRONTERA 2.8TD 1995-			