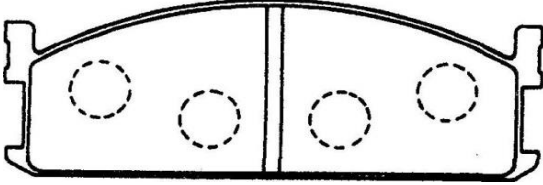
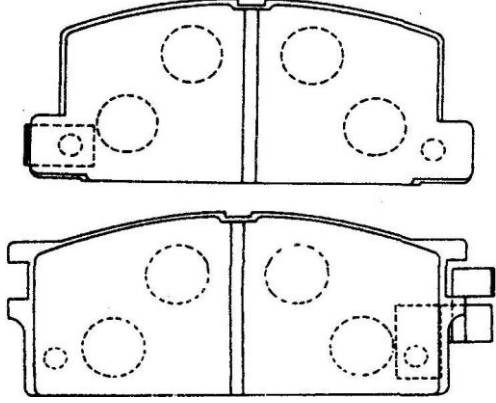
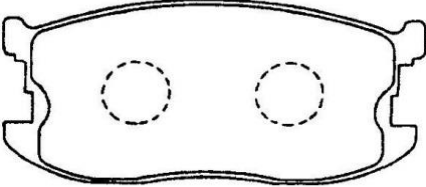


RIPAC BRAKE PAD

ISUZU

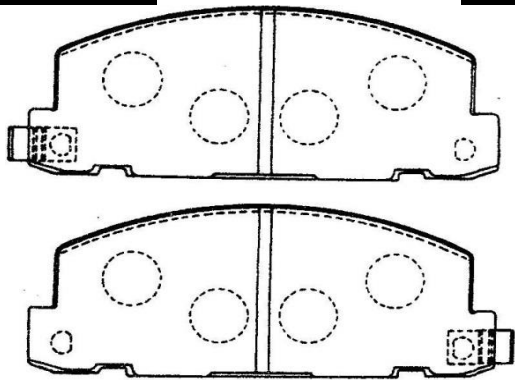
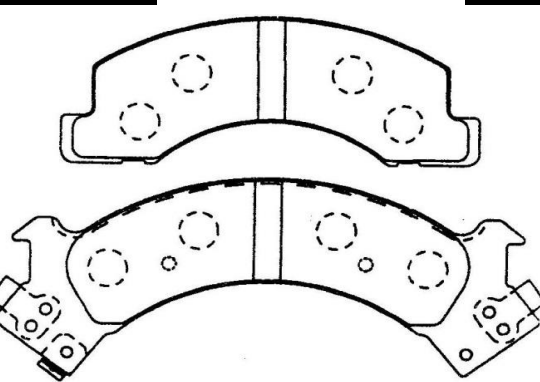
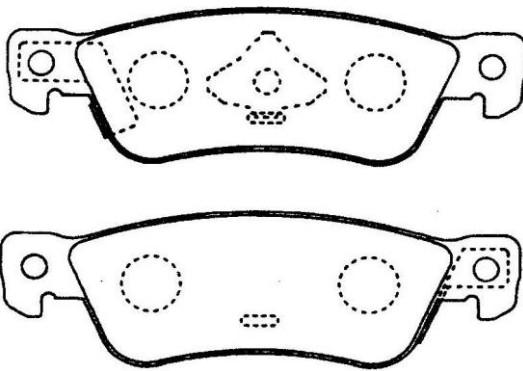
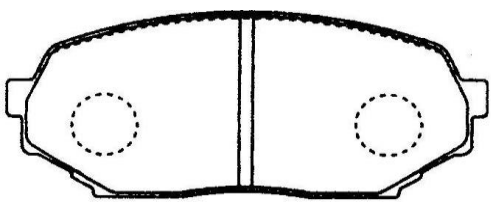
DISC BRAKE PAD

| | | | | | |
|---|---------------------------------|--|--------------|---|---------------------------|
| 4001 96K | FRONT Z-15.0mm | 1079 4673 | 4006M | FRONT Z-15.0mm | 327 4347 |
|  | |  | | | |
| GDB345 X-133.0 , Y-47.0 , Z-15.0 DB 1079 NOT IN SCALE | | DB 327 X-115.7 , Y-50.0 , Z-15.0 NOT IN SCALE | | | |
| WFR 10/11 1987- 2.0-NFR12,WFR12,51 86-95 2.2-WFR53 83-88 2.4-NFR62 98-95 2.4-WFR62 87-95 FARGO | | | | TROOPER UBS16,25 1983- FASTER KBG21,22,23,26,27,28 1983- | |
| 4010 | FRONT Z-14.5mm | 410 | | | |
|  | | | | | |
| DB 410 X-95.2 , Y-45.5 , Z-14.5 NOT IN SCALE | | | | | |
| GEMINI PIAZZA | | | | | |

RIPAC BRAKE PAD

ISUZU

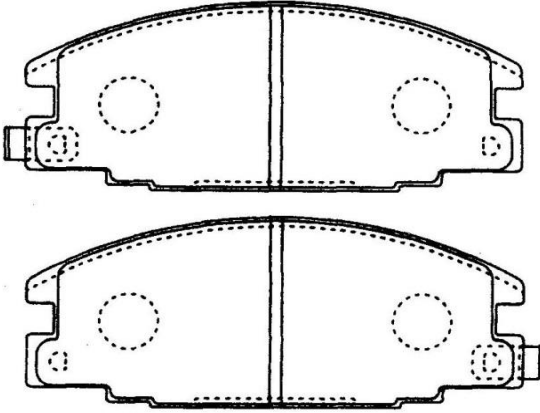
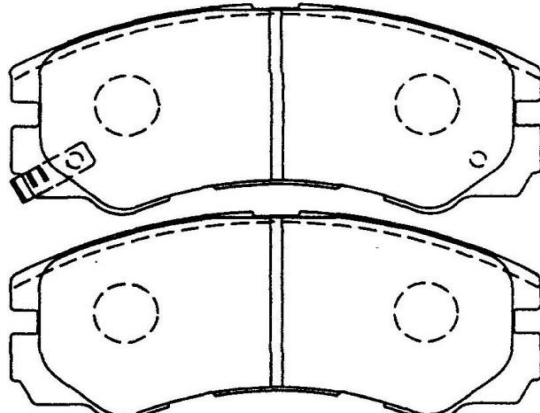
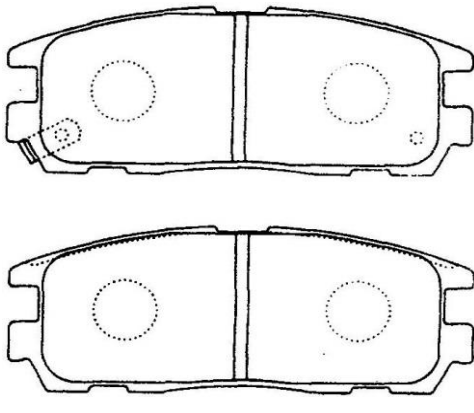
DISC BRAKE PAD

| | | | |
|--|---|---|--|
| 4014M FRONT Z-15.5mm | 395 4726 | 4018M FRONT Z-22.0mm | 8029 4401 |
|  <p>DB 395 FMSI D285 X-120.7 , Y-48.4 , Z-15.5 GDB749 NOT IN SCALE</p> |  <p>FMSI D546 X-183,3 , Y-69.5 , Z-22,0 DB 1993 X-238,5 , Y-94.0, Z-22,0 NOT IN SCALE</p> | | |
| TROOPER UBS52 1984- RODEP SUPER KBD40 83- | | | ELF 2.8-NKR55 3.1-NKR69 3.3-NKR57 3.6-NKR58 |
| 4021 REAR 270WK Z-13.5mm | 1161 4206 | 4025 FRONT Z-14.0mm | 4703 |
|  <p>GDB768 X-131.5 , Y-44.0 , Z-13.5 NOT IN SCALE</p> |  <p>FMSI D468 X-110.0 , Y-45.0 , Z-14.0 NOT IN SCALE</p> | | |
| TROOPER UBS55 1986- | D4029M | | GEMINI |

RIPAC BRAKE PAD

ISUZU

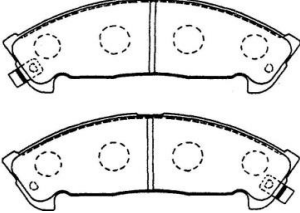

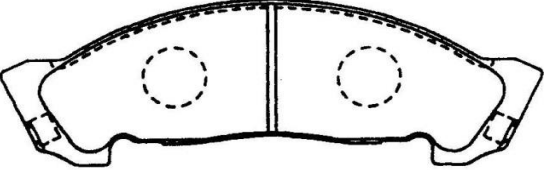
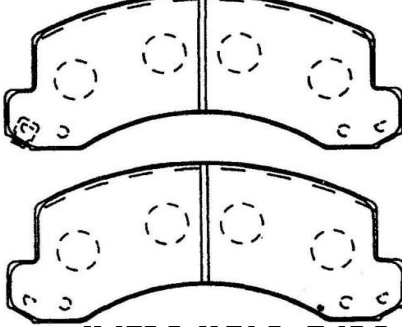
DISC BRAKE PAD

| | | | | | | |
|---|-----------------|---------------|--|-----------------|-------------|---------------|
| | | | 4029M | FRONT | | 1116 |
| | | | 248WK | Z-16.0mm | | 4300 |
| | | |  | | | |
| | | | FMSI D363 X-127.1 ,Y-49.5 , Z-16.0 GDB870 NOT IN SCALE DB 1116 | | | |
| | | | TROOPER | | REAR | D4021M |
| | | | UBS55 1986- | | | |
| 4031M | FRONT | 1270 | 4034M | REAR | 1280 | |
| 386WK | Z-16.5mm | 4201 | 387WK | Z-16.0mm | 4202 | |
|  | | |  | | | |
| FMSI D579 X-137.8 ,Y-58.7 , Z-16.5 GDB1186 NOT IN SCALE DB1270 | | | FMSI D580 X-109.6 ,Y-42.5 , Z-16.0 GDB1187 NOT IN SCALE DB 1280 | | | |
| TROOPER/BIGHORN | | | TROOPER/BIGHORN | | | |
| 3000-UBS73DE 98-01 | | D4034M | 3000-UBS73DE 98-01 | | | |
| 3100-UBS69 1991-98 | | D4034M | 3100-UBS69 1991-98 | | | |
| 3200-UBS52 91-98 | | D4034M | 3200-UBS52 91-98 | | | |

RIPAC BRAKE PAD

ISUZU

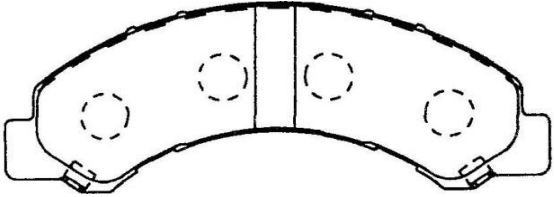
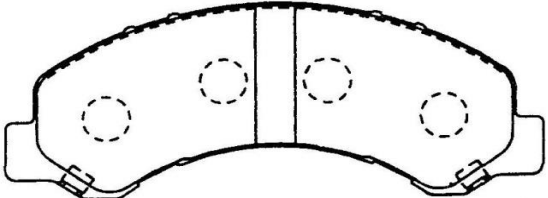
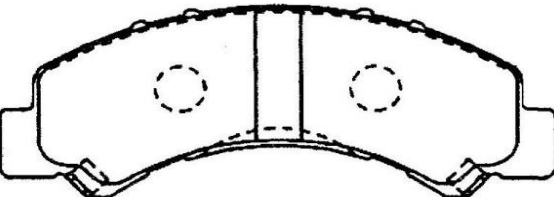
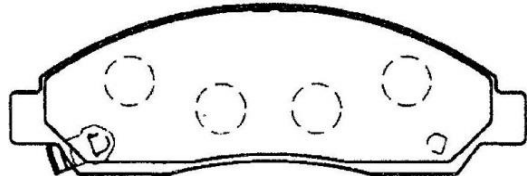
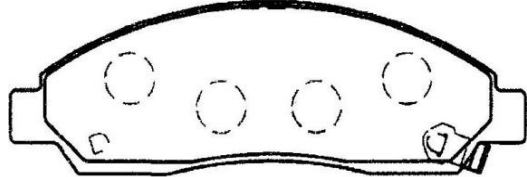
DISC BRAKE PAD

| | | | | | |
|---|---------------------------------|--|-----------------------------|---------------------------------|----------------------------|
| 4037M 361WK | FRONT Z-19.0mm | 8031 4400 | 4041 429WK | FRONT Z-21.0mm | 8033 4429 |
|  <p>X-175.6 , Y-63.0 , Z-19.0 NOT IN SCALE</p> | |  <p>X-191.2 , Y-62.0 , Z-21.0 NOT IN SCALE</p> | | | |
| ELF 2500-NR54 90-93 2800-WHR55,NHR55,NKR55,NHS55 90-93 2800-NHR551995- 3100-NHR69 93-2000 3100-NHR,NHS69 1993-95 3100 WHR69,VHR69 94-99 3100-NHR69 1999-2000 3100-VHR69 1999 3100-WHR69 1999 | | ELF 3100-NKR69,WKR69,NHS69 95-99 3600-NKR58,NLR63 93-99 4300 NKR66,NKS66,VKR66 93-99 4600-NKS71 93-2004 4600-NKR81GL 2002- 4800-NKR81E,81E3N,81EA 2002- 4800-NKR81EAV,ED,EP,AV 2002- 4800-NKS81 2002- | | | |
| 4048 485WK | FRONT Z-19.0mm | 4049M 648WK | | FRONT Z-20.0mm | 8264 4403 |
|  <p>X-192.2 , Y-62.0 , Z-19.0 NOT IN SCALE</p> | |  <p>X-170,9 , Y-71.8 , Z-12.0 NOT IN SCALE</p> | | | |
| ELF 3100-NHR69 1997-1999 3100-NHR69 1997-99 3100-NHR69 1999 3100-LHR69 2004- | | ELF 3.1-NKR69 1999 3.6-NKR58 90-93 4.3-NKR66 93-99 4.6-NKR71 1999 4.8-NKR81 2002- 5.0-NPR72 1999- 5.2-NPR75 1999.4 | | | |

RIPAC BRAKE PAD

ISUZU

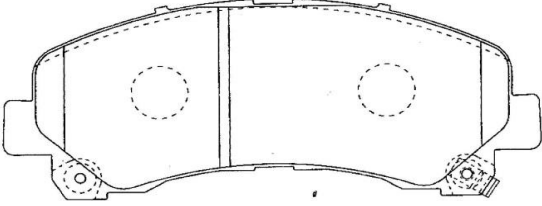
DISC BRAKE PAD

| | | | | | |
|---|---------------------------------|--|---|---------------------------------|----------------------------|
| 4052 617WK | FRONT Z-20.0mm | 1601 | 4053 656WK | FRONT Z-20.0mm | 4404 |
|  <p>DB 1992 FMSI D825 X-206.3 ,Y-74.6 , Z-20.0 GDB7234 NOT IN SCALE</p> | |  <p>DB 1994 FMSI D826 X-206.3 ,Y-79.7 , Z-20.0 NOT IN SCALE</p> | | | |
| ELF 4.3-NKR66 1999-02 4.6-NPR71 1998- 5.0-NPR72 1999- 5.2-NPR75 1999- | | | ELF 4.6-NPR71 1999- 4.8-NPR81 2002- 5.0-NPR72 1999-4 5.2-NPR75 1999- | | |
| 4054 721WK | FRONT Z-21.0mm | 8440 | 4055 721WK | FRONT Z-16.0mm | 8076 1412 |
|  <p>X-178.4 ,Y-68.9 , Z-21.0 NOT IN SCALE</p> | |   <p>DB 1468 X-167.5 ,Y-54.5 , Z-16.0 NOT IN SCALE</p> | | | |
| ELF 3000-NKR85A 2007.02 4600-NJR82 2007-07 4800-NKR81A,NKR81AD,AN,AR 2004.5 MAZDA TITAN 3000-LLR85,LLS85,LMR85 2007.02 4600-LKR81 2004.07 4800-LKR81 2004.07 TOYOTA DYNA 2700-TRU300 ,340,500 2007.5 4100-BZU300,A,340,XKU304,344 2003- 4100-XZU338,348,354,378,388,424,308 04-06- | | D.MAX 4X4 2.5 | | | |

RIPAC BRAKE PAD

ISUZU

DISC BRAKE PAD

| | | | | | |
|---|----------------------------------|-------------|--|--|--|
| 4056E | FRONT | 8395 | | | |
| 4057M | Z-16.5mm | | | | |
|  | | | | | |
| DB 1841 | X-152.0 , Y-60.0 , Z-16.0 | | | | |
| | NOT IN SCALE | | | | |
| D.MAX GOLD SERIES | | | | | |
| 4X4 3.0 | | | | | |
| | | | | | |
| | | | | | |
| | | | | | |
| | | | | | |